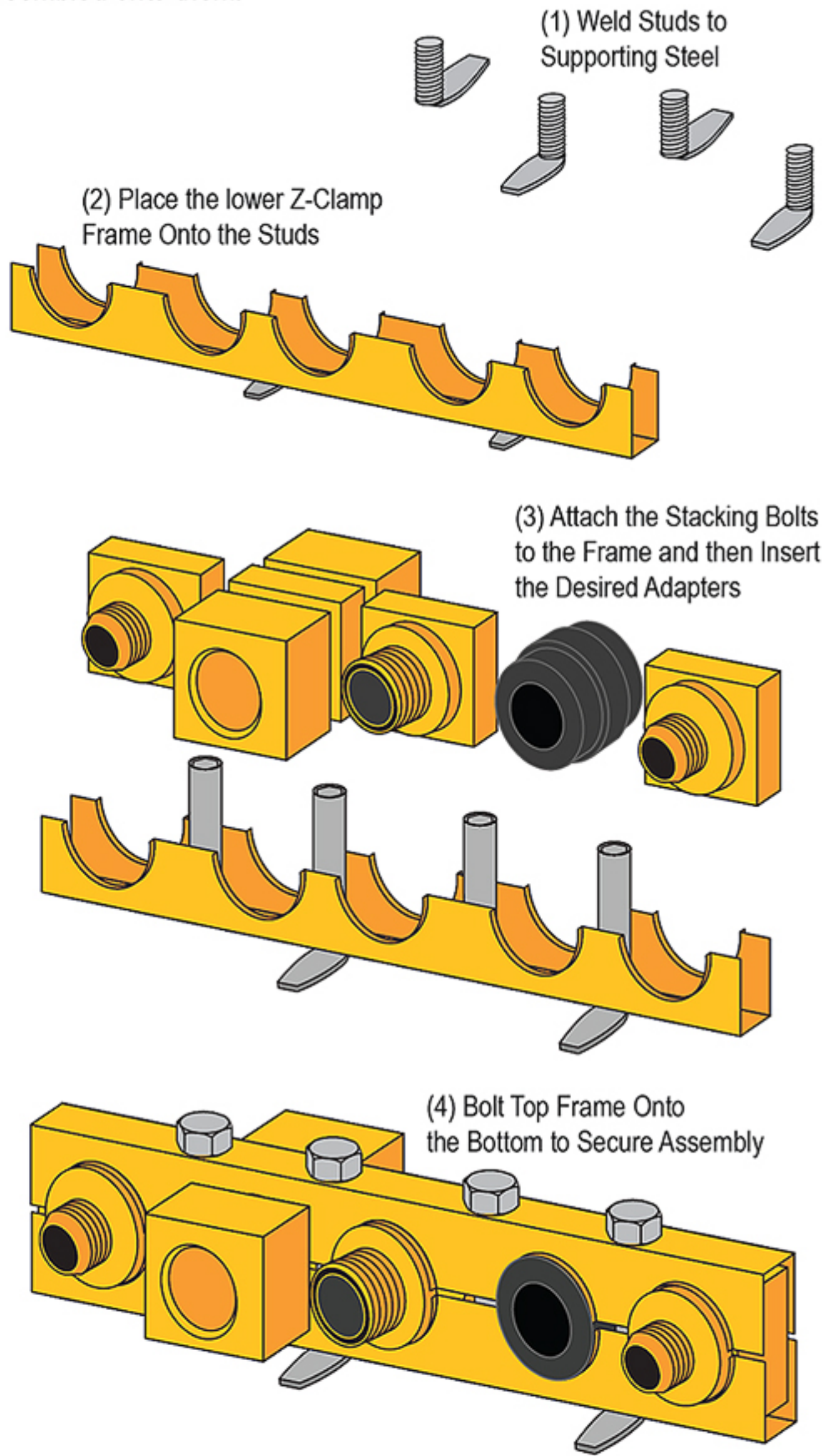


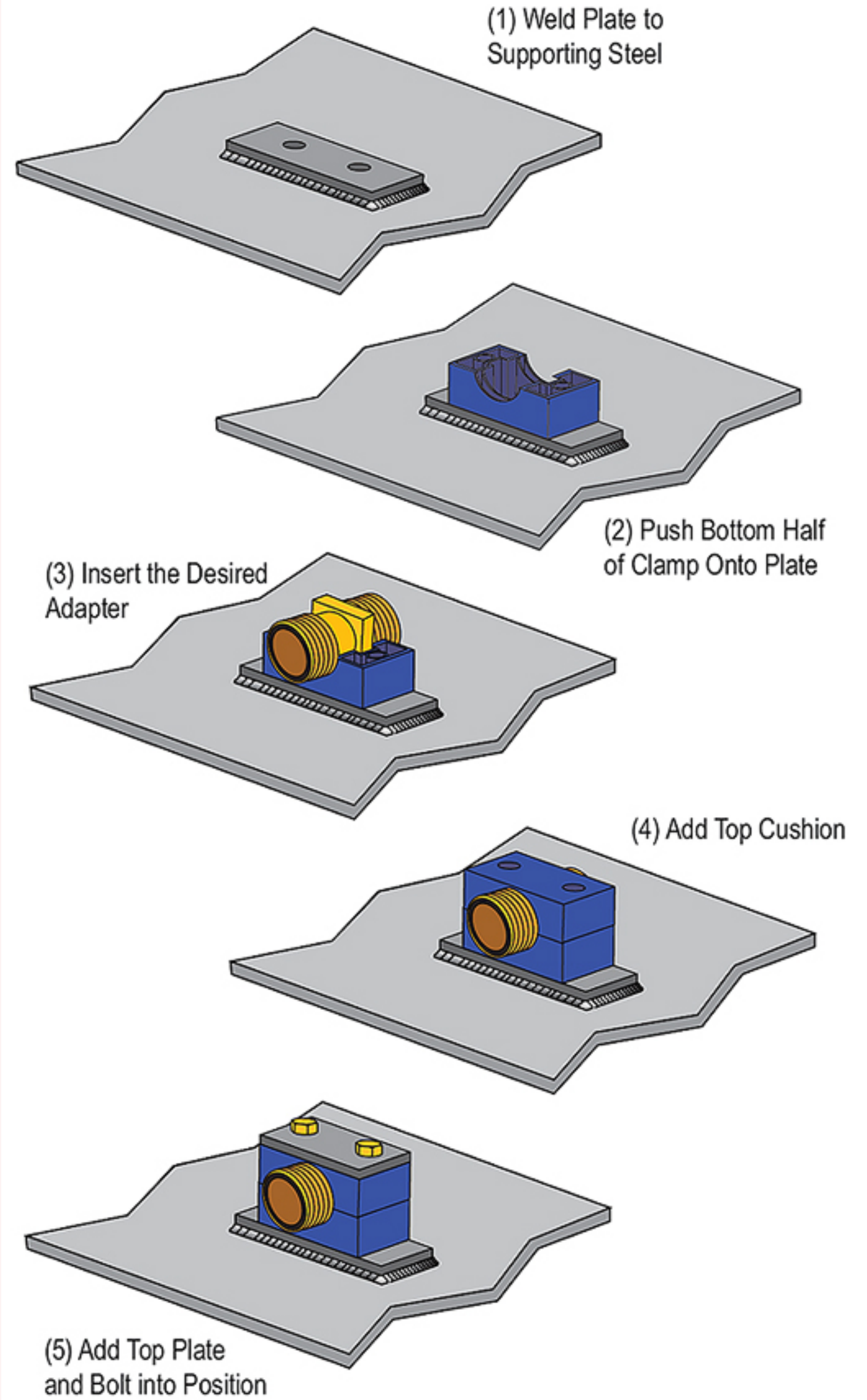
Installation of Z-Clamps

Z-Clamps are installed in much the same manner as Beta Clamps. The weld studs are welded onto existing structure and the clamp assembled onto them.



Installation of Beta Adapter

Beta Adapters are installed in much the same manner as Beta Clamps. The weld plate is welded onto existing structure and the Beta cushion and adapter is assembled onto it.



Z-CLAMP & BETA ADAPTER OPTIONAL ADAPTERS



FEMALE JUNCTION ADAPTER



O-RING FACE SEAL



37° FLARE MALE JUNCTION ADAPTER



RUBBER SPLIT BUSHINGS